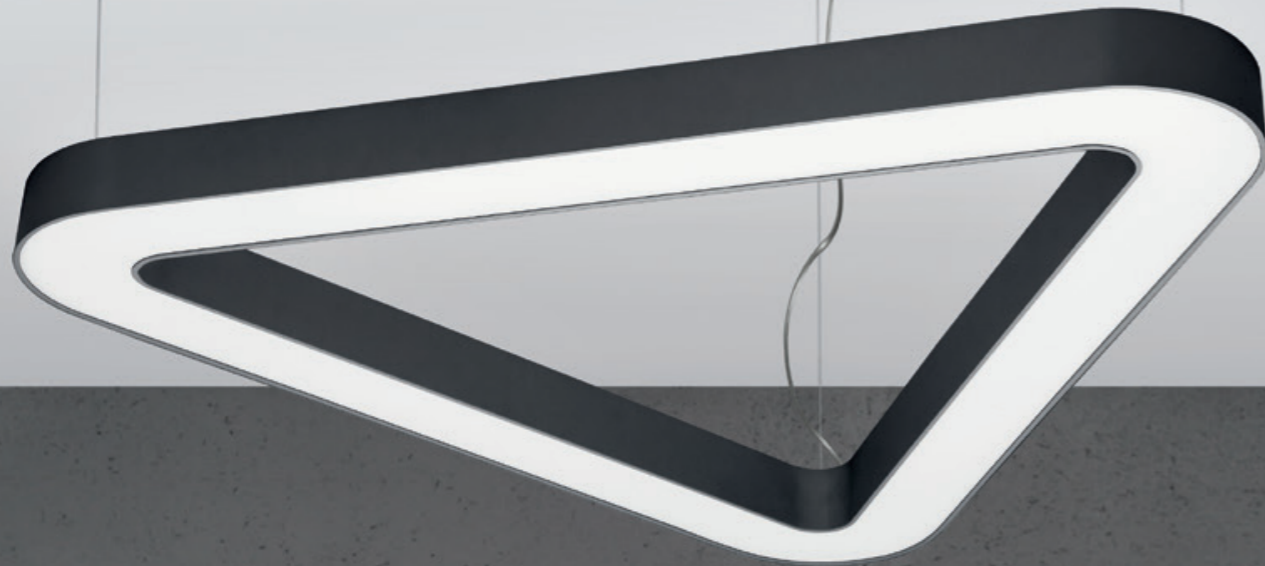


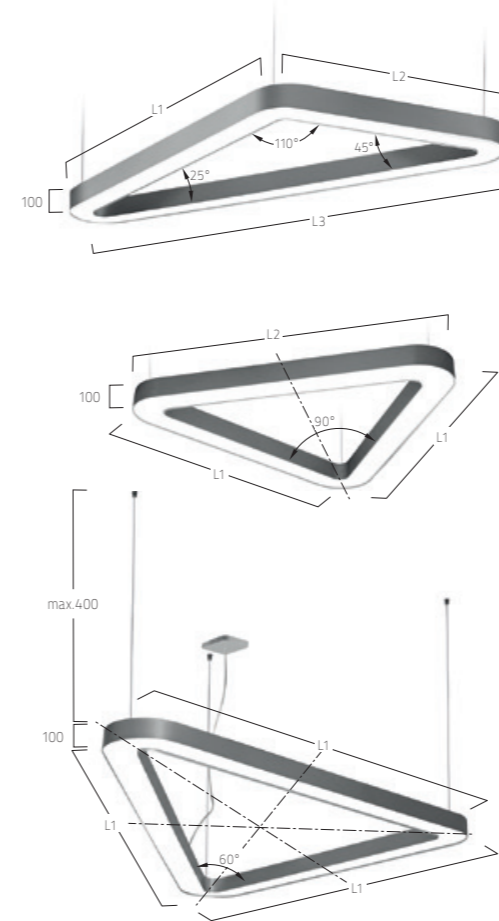
# THREE PEAKS SUSPENDED | G/P



**DE** LED-Pendelleuchte. Rein direkt oder direkt-indirektstrahlend. Leuchtenkörper aus Aluminiumprofil in unterschiedlichen Formen erhältlich. Oberfläche silber, weiß, graphit, schwarz, champagner oder kupferfarben lackiert. Weitere Oberflächenoptionen siehe Lightnet-Surface-Collection oder RAL nach Wahl. Microprismenoptik mit optimierter Blendungsbegrenzung speziell für Office-Anwendungen. Satinierter Opaldiffusor für Allgemeinbeleuchtung. Konverter in Leuchtengehäuse integriert, wahlweise einfach schaltbar oder stufenlos dimmbar (1-10V, DALI, Touch-Dim, Casambi). Farbtemperaturen 2200K, 2700K, 3000K, 3500K, 4000K oder 6500K. Binning initial ≤ MacAdam 3. Farbwiedergabe CRI>80 oder CRI>90. Stufenlos höhenverstellbare Parallelseil-Abhängung mit transparent ummantelter Zuleitung.

**EN** LED pendant luminaire. Direct only or direct-indirect light distribution. Luminaire body made of aluminium profile available in various shapes. Surface silver, white, graphite, black, champagne or copper coated. Further surface options see Lightnet-Surface-Collection or RAL of your choice. Microprismatic screen with optimized glare reduction especially for workplaces. Satin opal diffuser for general lighting. Driver integrated into luminaire housing, optionally switchable or dimmable (1-10V, DALI, Touch-Dim, Casambi). Colour temperatures 2200K, 2700K, 3000K, 3500K, 4000K or 6500K. Binning initial ≤ MacAdam 3. Colour rendering CRI>80 or CRI>90. Height-adjustable parallel-cord suspension with transparent power supply cable.

**FR** Luminaire LED suspendu. Éclairage uniquement direct ou direct/indirect. Luminaire triangulaire en profilé aluminium disponible sous différentes formes. Surface laquée argent, blanc, graphite, noir, champagne ou cuivre. Autres options de finition voir Lightnet-Surface-Collection ou RAL au choix. Diffuseur microprismatique optimisé pour un éblouissement limité et adapté aux bureaux. Diffuseur opale satinée pour un éclairage général. Driver intégré dans le luminaire, au choix ON/OFF ou graduable (1-10V, DALI, Touch-Dim, Casambi). Température de couleur 2200K, 2700K, 3000K, 3500K, 4000K ou 6500K. Binning initial ≤ MacAdam 3. Rendu de couleur CRI>80 ou CRI>90. Filin parallèle droit et tendeur rapide réglable avec câble d'alimentation transparent.

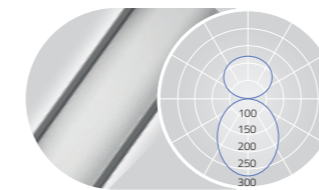


## PRODUCT-CODE: Y P1 A S E - 8 30 M - L930 - K

PRODUCT FAMILY	- Y Three Peaks
TYPE	- G1 Obtuse Direct, P1 Obtuse Direct-Indirect G2 Right Angled Direct, P2 Right Angled Direct-Indirect G3 Equilateral Direct, P3 Equilateral Direct-Indirect
OPTICAL SYSTEM	- O Opal, A Microprismatic
SURFACE FINISH	- W Snow White, S Radiant Silver, U Urban Graphite, B Jet Black, H Champagne Silver, K Satin Copper
CONTROL GEAR	- E On/Off, L DALI, D 1-10V, H Touch-Dim, C Casambi
COLOUR REND.	- 8 CRI>80, 9 CRI>90, F Full Spectrum
COLOUR TEMP.	- 22 2200K, 27 2700K, 30 3000K, 35 3500K, 40 4000K, 65 6500K
POWER	- M Medium Power, H High Power
SIZE	- G1/P1: Luminaire L1 length in mm: L930 L1315 L1615 G2/P2: Luminaire L1 length in mm: L740 L935 L1230 G3/P3: Luminaire L1 length in mm: L840 L1130 L1420
SUSPENSION	- K Parallel Suspension
ON REQUEST	- Emergency Module, Cable colour Red or Black



MICROPRISMATIC / DIRECT-INDIRECT

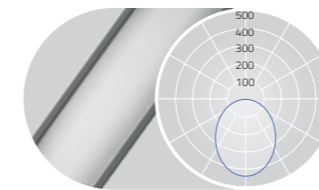


DIRECT: ca. 60% INDIRECT ca. 40%

L mm	Lumenlm/Watt Medium Power	Lumenlm/Watt High Power
<b>P1: OBTUSE</b>		
930	11280lm/82W	16380lm/128W
1315	15650lm/111W	22730lm/177W
1615	18780lm/133W	27290lm/209W

L mm	Lumenlm/Watt Medium Power	Lumenlm/Watt High Power
<b>P2: RIGHT ANGLED</b>		
740	9420lm/70W	13680lm/110W
935	12700lm/91W	18440lm/143W
1230	17490lm/122W	25390lm/200W
<b>P3: EQUILATERAL</b>		
840	10650lm/77W	15470lm/122W
1130	15170lm/107W	22020lm/166W
1420	19680lm/136W	28570lm/220W

MICROPRISMATIC / DIRECT

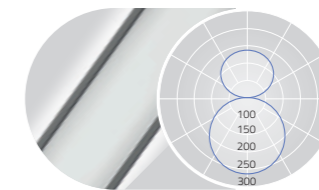


DIRECT: 100%

L mm	Lumenlm/Watt Medium Power	Lumenlm/Watt High Power
<b>G1: OBTUSE</b>		
930	6810lm/52W	9920lm/84W
1315	9810lm/74W	14290lm/121W
1615	12260lm/92W	17860lm/147W

L mm	Lumenlm/Watt Medium Power	Lumenlm/Watt High Power
<b>G2: RIGHT ANGLED</b>		
740	5990lm/46W	8710lm/75W
935	7890lm/60W	11490lm/96W
1230	10620lm/80W	15460lm/130W
<b>G3: EQUILATERAL</b>		
840	6530lm/50W	9510lm/81W
1130	8980lm/68W	13080lm/107W
1420	11440lm/85W	16550lm/138W

OPAL DIFFUSER / DIRECT-INDIRECT

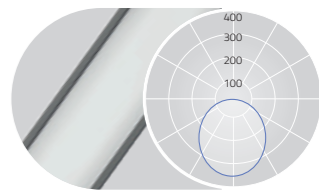


DIRECT: ca. 60% INDIRECT ca. 40%

L mm	Lumenlm/Watt Medium Power	Lumenlm/Watt High Power
<b>P1: OBTUSE</b>		
930	10330lm/82W	15000lm/128W
1315	14290lm/111W	20750lm/177W
1615	17090lm/133W	24820lm/209W

L mm	Lumenlm/Watt Medium Power	Lumenlm/Watt High Power
<b>P2: RIGHT ANGLED</b>		
740	8590lm/70W	12470lm/110W
935	11610lm/91W	16850lm/143W
1230	16020lm/122W	23250lm/200W
<b>P3: EQUILATERAL</b>		
840	9750lm/77W	14150lm/122W
1130	13920lm/107W	20210lm/166W
1420	18100lm/136W	26270lm/220W

OPAL DIFFUSER / DIRECT



DIRECT: 100%

L mm	Lumenlm/Watt Medium Power	Lumenlm/Watt High Power
<b>G1: OBTUSE</b>		
930	5870lm/52W	8550lm/84W
1315	8450lm/74W	12310lm/121W
1615	10570lm/92W	15390lm/147W

L mm	Lumenlm/Watt Medium Power	Lumenlm/Watt High Power
<b>G2: RIGHT ANGLED</b>		
740	5160lm/46W	7510lm/75W
935	6800lm/60W	9900lm/96W
1230	9150lm/80W	13320lm/130W
<b>G3: EQUILATERAL</b>		
840	5630lm/50W	8190lm/81W
1130	7740lm/68W	11270lm/107W
1420	9860lm/85W	14350lm/138W

Lumen Values: Luminaire luminous flux at 4000K/CRI>80 / surface finished Snow White. Other configurations on request.