

LIQUID LINE SURFACE | A3

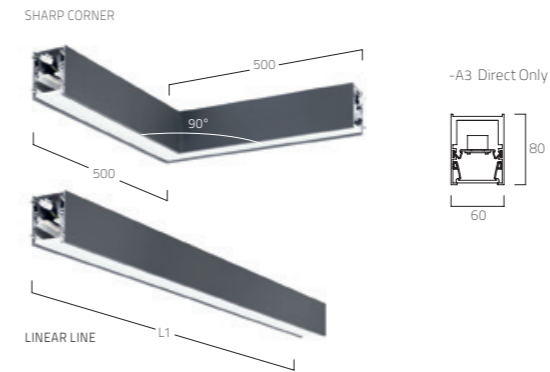


DE LED-System-Anbauleuchte. Rein direktstrahlend. Leuchtenkörper aus Aluminiumprofil mit 60mm Lichtspurbreite. Oberfläche weiß, silber, graphit, schwarz, champagner oder kupferfarben lackiert. Weitere Oberflächenoptionen siehe Lightnet-Surface-Collection oder RAL nach Wahl. Microprismenoptik mit optimierter Blendungsbegrenzung speziell für Office-Anwendungen. Satinierter Opaldiffuser für Allgemeinbeleuchtung. Konverter in Leuchtengehäuse integriert, wahlweise einfach schaltbar oder stufenlos dimmbar (1-10V, DALI, Touch-Dim, Casambi). Farbtemperaturen 2200K, 2700K, 3000K, 3500K, 4000K oder 6500K. Binning initial \leq MacAdam 3. Farb wiedergabe CRI>80 oder CRI>90. Beliebige Kombination vorgefertigter X-Verbinde mit allen linearen sowie gebogenen Elementen der Familie Liquid Line 3D übergreifend möglich. Hochflexibles System geeignet für millimetergenauen Zuschnitt auf Maß sowie Individuallösungen. Jedes Modul auch als Einzeleuchte erhältlich. Stirnseiten sind separat zu bestellen. Bei Lichtbandmontage ist für jede Stoßstelle ein Verbinder separat zu bestellen.

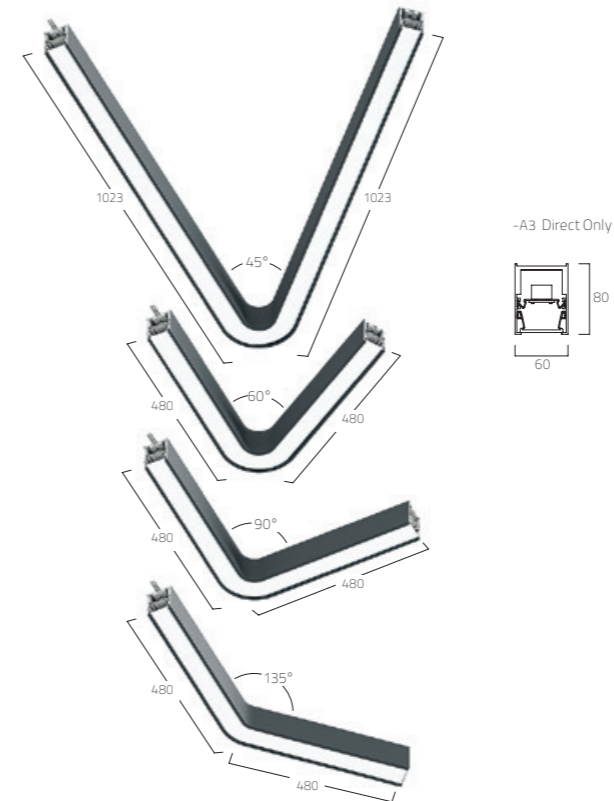
EN LED surface mounted light system. Direct only light distribution. Luminaire body made of aluminium profile with 60mm width. Surface white, silver, graphite, black, champagne or copper coated. Further surface options see Lightnet-Surface-Collection or RAL of your choice. Microprismatic screen with optimized glare reduction especially for workplaces. Satin opal diffuser for general lighting. Driver integrated into luminaire housing, optionally switchable or dimmable (1-10V, DALI, Touch-Dim, Casambi). Colour temperatures 2200K, 2700K, 3000K, 3500K, 4000K or 6500K. Binning initial \leq MacAdam 3. Colour rendering CRI>80 or CRI>90. Arbitrary combination of all 90° modules, X- and Y-connectors, linear and curved elements of the Liquid Line 3D family is possible. Highly flexible system suited for millimetre accurate customizing as well as individual solutions. Each module is also available as stand-alone luminaire. End caps to be ordered separately.

FR Système d'éclairage modulaire LED. Éclairage seulement direct. Corps du luminaire en profilé aluminium avec 60mm de largeur du spectre lumineux. Surface laquée blanc, argent, graphite, noir, champagne ou cuivre. Autres options de finition voir Lightnet-Surface-Collection ou RAL au choix. Diffuseur microprismatique optimisé pour un éblouissement limité et adapté aux bureaux. Diffuseur opale satinée pour un éclairage général. Driver intégré dans le luminaire, au choix ON/OFF ou graduable (1-10V, DALI, Touch-Dim, Casambi). Température de couleur 2200K, 2700K, 3000K, 3500K, 4000K ou 6500K. Binning initial \leq MacAdam 3. Rendu de couleur CRI>80 ou CRI>90. Combinaison possible et mélangée au choix de tous les modules angle à 90°, en forme de X- et Y-, éléments droits et centrés de la famille Liquid Line 3D. Système d'éclairage hautement flexible adapté pour des solutions individuelles multiples au millimètre près. Chaque module disponible comme luminaire indépendant autonome. Cache frontal à commander séparément.

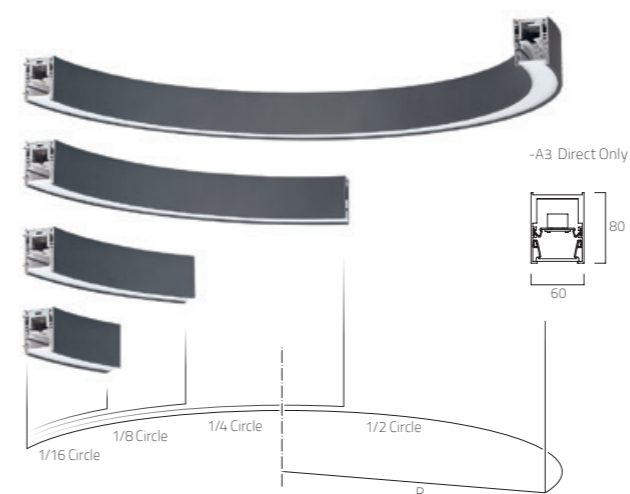
LINEAR MODULES



BEND MODULES



CURVE MODULES



PRODUCT-CODE: Q A3 A S E - 8 30 M - L 1178

PRODUCT FAMILY	- Q Liquid Line
TYPE	- A3 Direct-Only
OPTICAL SYSTEM	- A Microprismatic, O Opal
SURFACE FINISH	- W Snow White, V Ivory White, S Radiant Silver, U Urban Graphite, B Jet Black, H Champagne Silver, K Satin Copper
CONTROL GEAR	- E On/Off, L DALI, D 1-10V, H Touch-Dim, C Casambi
COLOUR REND.	- 8 CRI>80, 9 CRI>90, F Full Spectrum
COLOUR TEMP.	- 22 2200K, 27 2700K, 30 3000K, 35 3500K, 40 4000K, 65 6500K
POWER	- E Low-Power, M Medium Power, H High Power
FORM	- L Line, K Corner
SIZE	- Line Length in mm: 600, 888, 1178, 1472, 2340, Corner: 500x500
ON REQUEST	- Emergency Module, Cable colour Red or Black



PRODUCT-CODE: Q A3 A S E - 8 30 M - B 135

PRODUCT FAMILY	- Q Liquid Line
TYPE	- A3 Direct-Only
OPTICAL SYSTEM	- A Microprismatic, O Opal
SURFACE FINISH	- W Snow White, V Ivory White, S Radiant Silver, U Urban Graphite, B Jet Black, H Champagne Silver, K Satin Copper
CONTROL GEAR	- E On/Off, L DALI, D 1-10V, H Touch-Dim, C Casambi
COLOUR REND.	- 8 CRI>80, 9 CRI>90, F Full Spectrum
COLOUR TEMP.	- 22 2200K, 27 2700K, 30 3000K, 35 3500K, 40 4000K, 65 6500K
POWER	- E Low-Power, M Medium Power, H High Power
FORM	- B Bend Module
SIZE	- Degree: 45°, 60°, 90°, 135°
ON REQUEST	- Emergency Module, Cable colour Red or Black



PRODUCT-CODE: Q A3 O S E - 8 30 M - CH - R050 - L1570

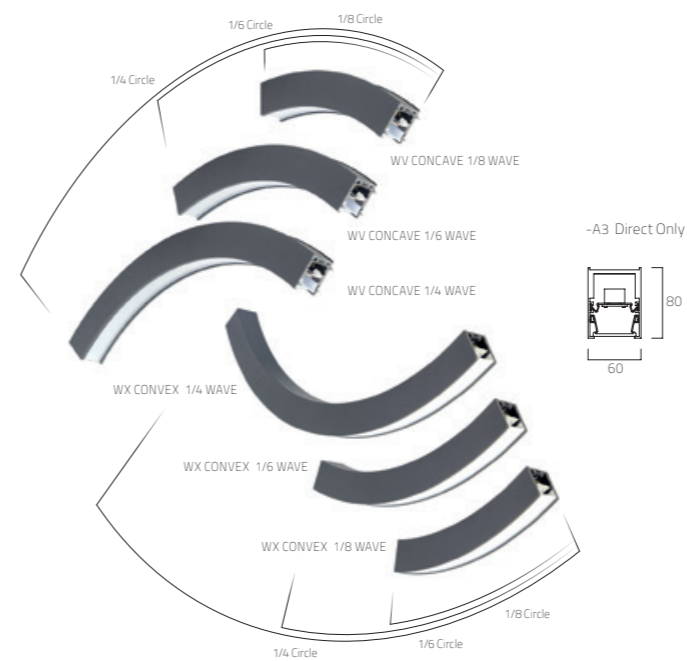
PRODUCT FAMILY	- Q Liquid Line
TYPE	- A3 Direct-Indirect
OPTICAL SYSTEM	- A Microprismatic, O Opal
SURFACE FINISH	- W Snow White, V Ivory White, S Radiant Silver, U Urban Graphite, B Jet Black, H Champagne Silver, K Satin Copper
CONTROL GEAR	- E On/Off, L DALI, D 1-10V, H Touch-Dim, C Casambi
COLOUR REND.	- 8 CRI>80, 9 CRI>90, F Full Spectrum
COLOUR TEMP.	- 22 2200K, 27 2700K, 30 3000K, 35 3500K, 40 4000K, 65 6500K
POWER	- E Low-Power, M Medium Power, H High Power
FORM	- C Curve Module
ARC SECTION	- H 1/2 curve, Q 1/4 curve, E 1/8 curve, S 1/16 curve
RADIUS	- R050: R500mm, R075: R750mm, R100: R1000mm, R125: R1250mm, R150: R1500mm, R175: R1750mm, R200: R2000mm, R250: R2500mm, R300: R3000mm, R350: R3500mm, R400: R4000mm
LENGTH	- Length in mm
ON REQUEST	- Emergency Module, Cable colour Red or Black



LIQUID LINE SURFACE | A3



WAVE MODULES

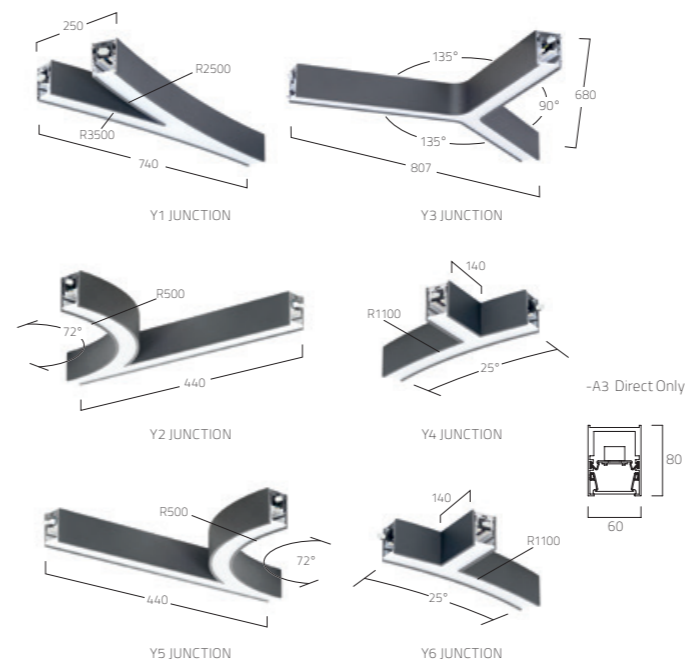


PRODUCT-CODE: Q A3 O S E - 8 30 E - W X E - R100 - L848

PRODUCT FAMILY	- Q Liquid Line
TYPE	- A3 Direct-Only
OPTICAL SYSTEM	- A Microprismatic, O Opal
SURFACE FINISH	- W Snow White, V Ivory White, S Radiant Silver, U Urban Graphite, B Jet Black, H Champagne Silver, K Satin Copper
CONTROL GEAR	- E On/Off, L DALI, D 1-10V, H Touch-Dim, C Casambi
COLOUR REND.	- 8 CRI>80, 9 CRI>90, F Full Spectrum
COLOUR TEMP.	- 22 2200K, 27 2700K, 30 3000K, 35 3500K, 40 4000K, 65 6500K
POWER	- E Low-Power, M Medium Power, H High Power
WAVE TYPE	- WX Convex, WV Concave
WAVE SECTION	- Q 1/4 wave, S 1/6 wave, E 1/8 wave
RADIUS	- R100: R1000mm, R125: R1250mm, R150: R1500mm
LENGTH	- Length in mm
ON REQUEST	- Emergency Module, Cable colour Red or Black

IP20 -220-240V 50-60 Hz IK 02 RG0 EN62471 ≤3 MacAdam L80 67000h CE A-A++

Y-JUNCTIONS

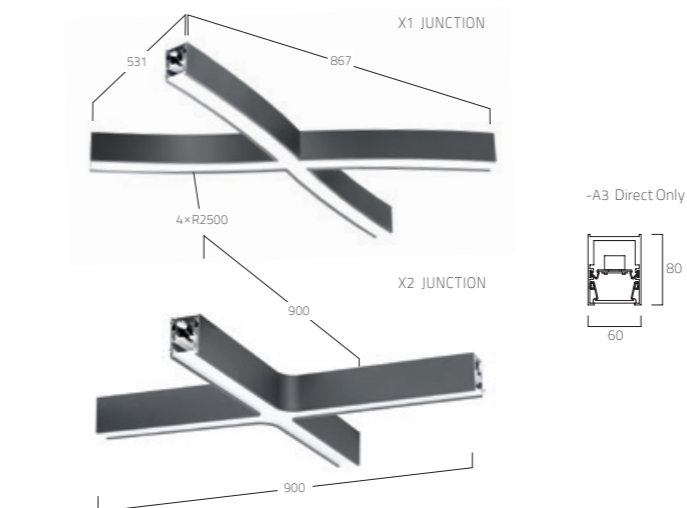


PRODUCT-CODE: Q A3 O S E - 8 30 M - Y 1 - L1450

PRODUCT FAMILY	- Q Liquid Line
TYPE	- A3 Direct-Only
OPTICAL SYSTEM	- A Microprismatic, O Opal
SURFACE FINISH	- W Snow White, V Ivory White, S Radiant Silver, U Urban Graphite, B Jet Black, H Champagne Silver, K Satin Copper
CONTROL GEAR	- E On/Off, L DALI, D 1-10V, H Touch-Dim, C Casambi
COLOUR REND.	- 8 CRI>80, 9 CRI>90, F Full Spectrum
COLOUR TEMP.	- 22 2200K, 27 2700K, 30 3000K, 35 3500K, 40 4000K, 65 6500K
POWER	- E Low-Power, M Medium Power, H High Power
JUNCTION FORM	- Y: Y-Junction
JUNCTION TYPE	- Type: 1, 2, 3, 4, 5, 6
LENGTH	- Length in mm
ON REQUEST	- Emergency Module, Cable colour Red or Black

IP20 -220-240V 50-60 Hz IK 02 RG0 EN62471 ≤3 MacAdam L80 67000h CE A-A++

X-JUNCTIONS



PRODUCT-CODE: Q A3 O S E - 8 30 M - X 1 - L1800

PRODUCT FAMILY	- Q Liquid Line
TYPE	- A3 Direct-Only
OPTICAL SYSTEM	- A Microprismatic, O Opal
SURFACE FINISH	- W Snow White, V Ivory White, S Radiant Silver, U Urban Graphite, B Jet Black, H Champagne Silver, K Satin Copper
CONTROL GEAR	- E On/Off, L DALI, D 1-10V, H Touch-Dim, C Casambi
COLOUR REND.	- 8 CRI>80, 9 CRI>90, F Full Spectrum
COLOUR TEMP.	- 22 2200K, 27 2700K, 30 3000K, 35 3500K, 40 4000K, 65 6500K
POWER	- E Low-Power, M Medium Power, H High Power
JUNCTION FORM	- X: X-Junction
JUNCTION TYPE	- Type: 1, 2
LENGTH	- Length in mm
ON REQUEST	- Emergency Module, Cable colour Red or Black

IP20 -220-240V 50-60 Hz IK 02 RG0 EN62471 ≤3 MacAdam L80 67000h CE A-A++