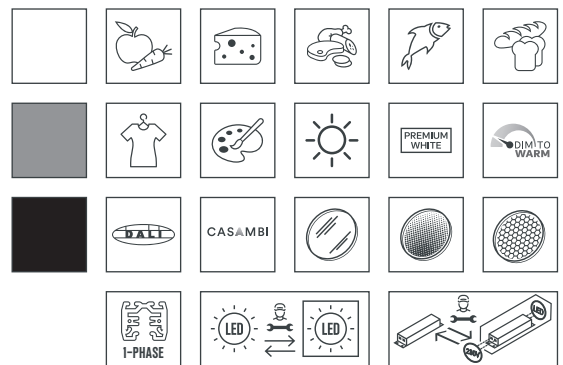
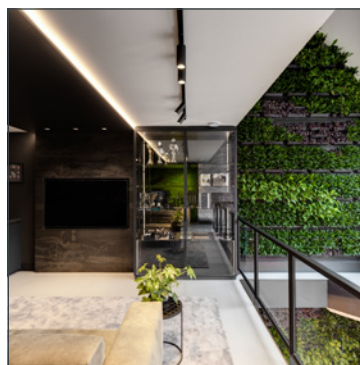
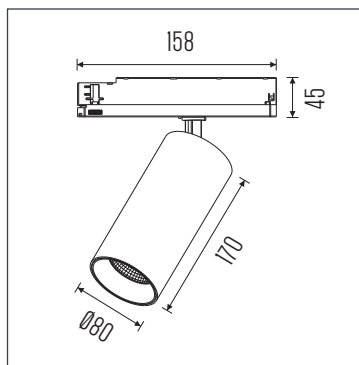


HUGINN R.

A universal 3-phase track spot suitable for every retail project. The driver is incorporated in the track adapter, which makes it more stylish. The Huginn is available in a choice of CCT, dim-to-warm (3000K-1800K), Spectral LED, special colours for retail use, reflectors and various accessories.



Adjustability	: 350° rotational and 90° tiltable	Optic	: Facet anodized aluminum reflector
CCT	: 2700K - 5700K		: 25°, 30°, 36°, 50°, 60°
CRI	: (RA) >90, (RA) >97, (RA) >80	Mains voltage	: 220-240V / 50-60Hz
Chromaticity tolerance	: 3	Max. ambient temperature	: 35°C
Luminous flux	: max. 3150Lm	Ingress protection	: IP20
Connected load	: max. 30W	Net. weight	: 0.90Kg
System efficiency	: max. 127Lm/W	Warranty	: 5 years
Electrical Safety Class	: Class II		

Go to full specs

