

**Q-Line series**  
48V TRACK SYSTEM



**Dea Eros-Q traccia**  
*connecting people.*

Create an attractive atmosphere with this irresistible 48V track luminaire.  
Be prepared to instantly fall in love with its modern design and radiant lighting.  
Create the perfect match by choosing the perfect reflector color and combining  
it with other Dea Eros fixtures.

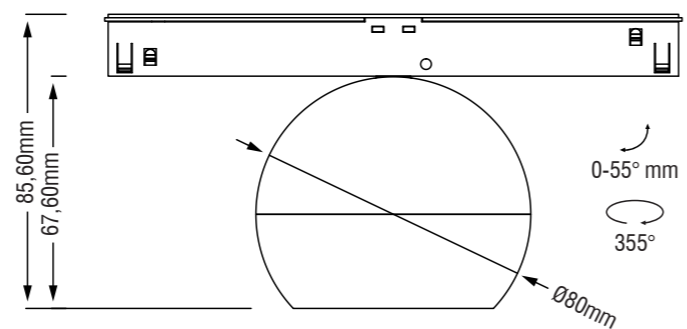


Dea Eros-Q1 S traccia.



		<b>790lm 927 10.5W</b>	black high gloss	40°	Q656DW92740BGF0	Q656DB92740BGF0
		<b>800lm 930 10.5W</b>	black high gloss	40°	Q656DW93040BGF0	Q656DB93040BGF0
		<b>810lm 940 10.5W</b>	black high gloss	40°	Q656DW94040BGF0	Q656DB94040BGF0
		<b>790lm 927 10.5W</b>	silver high gloss	40°	Q656DW92740SGF0	Q656DB92740SGF0
		<b>800lm 930 10.5W</b>	silver high gloss	40°	Q656DW93040SGF0	Q656DB93040SGF0
		<b>810lm 940 10.5W</b>	silver high gloss	40°	Q656DW94040SGF0	Q656DB94040SGF0
		<b>790lm 927 10.5W</b>	chrome	40°	Q656DW92740CHF0	Q656DB92740CHF0
		<b>800lm 930 10.5W</b>	chrome	40°	Q656DW93040CHF0	Q656DB93040CHF0
		<b>810lm 940 10.5W</b>	chrome	40°	Q656DW94040CHF0	Q656DB94040CHF0
		<b>790lm 927 10.5W</b>	white	40°	Q656DW92740WHF0	Q656DB92740WHF0
		<b>800lm 930 10.5W</b>	white	40°	Q656DW93040WHF0	Q656DB93040WHF0
		<b>810lm 940 10.5W</b>	white	40°	Q656DW94040WHF0	Q656DB94040WHF0
		<b>790lm 927 10.5W</b>	gold	40°	Q656DW92740GOF0	Q656DB92740GOF0
		<b>800lm 930 10.5W</b>	gold	40°	Q656DW93040GOF0	Q656DB93040GOF0
		<b>810lm 940 10.5W</b>	gold	40°	Q656DW94040GOF0	Q656DB94040GOF0
		<b>790lm 927 10.5W</b>	black matt	40°	Q656DW92740BMF0	Q656DB92740BMF0
		<b>800lm 930 10.5W</b>	black matt	40°	Q656DW93040BMF0	Q656DB93040BMF0
		<b>810lm 940 10.5W</b>	black matt	40°	Q656DW94040BMF0	Q656DB94040BMF0
		<b>790lm 927 10.5W</b>	copper	40°	Q656DW92740COF0	Q656DB92740COF0
		<b>800lm 930 10.5W</b>	copper	40°	Q656DW93040COF0	Q656DB93040COF0
		<b>810lm 940 10.5W</b>	copper	40°	Q656DW94040COF0	Q656DB94040COF0

For the difference between Q1 and Q2 tracks, see page 168.

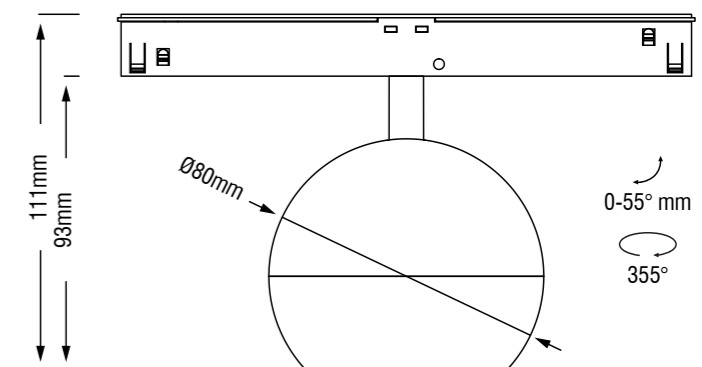


Dea Eros-Q2 S traccia.



		<b>790lm 927 10.5W</b>	black high gloss	40°	Q666DW92740BGF0	Q666DB92740BGF0
		<b>800lm 930 10.5W</b>	black high gloss	40°	Q666DW93040BGF0	Q666DB93040BGF0
		<b>810lm 940 10.5W</b>	black high gloss	40°	Q666DW94040BGF0	Q666DB94040BGF0
		<b>790lm 927 10.5W</b>	silver high gloss	40°	Q666DW92740SGF0	Q666DB92740SGF0
		<b>800lm 930 10.5W</b>	silver high gloss	40°	Q666DW93040SGF0	Q666DB93040SGF0
		<b>810lm 940 10.5W</b>	silver high gloss	40°	Q666DW94040SGF0	Q666DB94040SGF0
		<b>790lm 927 10.5W</b>	chrome	40°	Q666DW92740CHF0	Q666DB92740CHF0
		<b>800lm 930 10.5W</b>	chrome	40°	Q666DW93040CHF0	Q666DB93040CHF0
		<b>810lm 940 10.5W</b>	chrome	40°	Q666DW94040CHF0	Q666DB94040CHF0
		<b>790lm 927 10.5W</b>	white	40°	Q666DW92740WHF0	Q666DB92740WHF0
		<b>800lm 930 10.5W</b>	white	40°	Q666DW93040WHF0	Q666DB93040WHF0
		<b>810lm 940 10.5W</b>	white	40°	Q666DW94040WHF0	Q666DB94040WHF0
		<b>790lm 927 10.5W</b>	gold	40°	Q666DW92740GOF0	Q666DB92740GOF0
		<b>800lm 930 10.5W</b>	gold	40°	Q666DW93040GOF0	Q666DB93040GOF0
		<b>810lm 940 10.5W</b>	gold	40°	Q666DW94040GOF0	Q666DB94040GOF0
		<b>790lm 927 10.5W</b>	black matt	40°	Q666DW92740BMF0	Q666DB92740BMF0
		<b>800lm 930 10.5W</b>	black matt	40°	Q666DW93040BMF0	Q666DB93040BMF0
		<b>810lm 940 10.5W</b>	black matt	40°	Q666DW94040BMF0	Q666DB94040BMF0
		<b>790lm 927 10.5W</b>	copper	40°	Q666DW92740COF0	Q666DB92740COF0
		<b>800lm 930 10.5W</b>	copper	40°	Q666DW93040COF0	Q666DB93040COF0
		<b>810lm 940 10.5W</b>	copper	40°	Q666DW94040COF0	Q666DB94040COF0

For the difference between Q1 and Q2 tracks, see page 168.

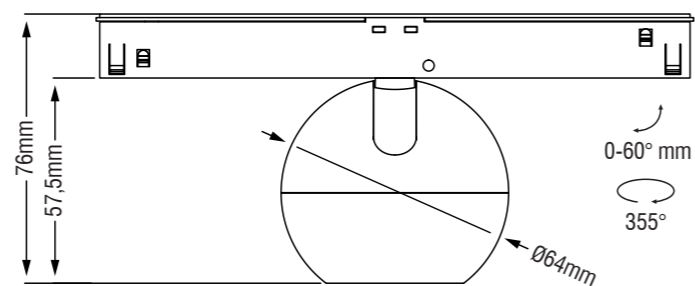


Dea Eros-Q1 XS traccia.



		<b>490lm 927 7W</b>	black high gloss	34°	Q655BW92734BGF0	Q655BB92734BGF0
		<b>500lm 930 7W</b>	black high gloss	34°	Q655BW93034BGF0	Q655BB93034BGF0
		<b>510lm 940 7W</b>	black high gloss	34°	Q655BW94034BGF0	Q655BB94034BGF0
		<b>490lm 927 7W</b>	silver high gloss	34°	Q655BW92734SGF0	Q655BB92734SGF0
		<b>500lm 930 7W</b>	silver high gloss	34°	Q655BW93034SGF0	Q655BB93034SGF0
		<b>510lm 940 7W</b>	silver high gloss	34°	Q655BW94034SGF0	Q655BB94034SGF0
		<b>490lm 927 7W</b>	chrome	34°	Q655BW92734CHF0	Q655BB92734CHF0
		<b>500lm 930 7W</b>	chrome	34°	Q655BW93034CHF0	Q655BB93034CHF0
		<b>510lm 940 7W</b>	chrome	34°	Q655BW94034CHF0	Q655BB94034CHF0
		<b>490lm 927 7W</b>	white	34°	Q655BW92734WHF0	Q655BB92734WHF0
		<b>500lm 930 7W</b>	white	34°	Q655BW93034WHF0	Q655BB93034WHF0
		<b>510lm 940 7W</b>	white	34°	Q655BW94034WHF0	Q655BB94034WHF0
		<b>490lm 927 7W</b>	gold	34°	Q655BW92734GOF0	Q655BB92734GOF0
		<b>500lm 930 7W</b>	gold	34°	Q655BW93034GOF0	Q655BB93034GOF0
		<b>510lm 940 7W</b>	gold	34°	Q655BW94034GOF0	Q655BB94034GOF0
		<b>490lm 927 7W</b>	black matt	34°	Q655BW92734BMF0	Q655BB92734BMF0
		<b>500lm 930 7W</b>	black matt	34°	Q655BW93034BMF0	Q655BB93034BMF0
		<b>510lm 940 7W</b>	black matt	34°	Q655BW94034BMF0	Q655BB94034BMF0
		<b>490lm 927 7W</b>	copper	34°	Q655BW92734COF0	Q655BB92734COF0
		<b>500lm 930 7W</b>	copper	34°	Q655BW93034COF0	Q655BB93034COF0
		<b>510lm 940 7W</b>	copper	34°	Q655BW94034COF0	Q655BB94034COF0

For the difference between Q1 and Q2 tracks, see page 168.



Dea Eros-Q2 XS traccia.



		<b>490lm 927 7W</b>	black high gloss	34°	Q665BW92734BGF0	Q665BB92734BGF0
		<b>500lm 930 7W</b>	black high gloss	34°	Q665BW93034BGF0	Q665CB93034BGF0
		<b>510lm 940 7W</b>	black high gloss	34°	Q665BW94034BGF0	Q665CB94034BGF0
		<b>490lm 927 7W</b>	silver high gloss	34°	Q665BW92734SGF0	Q665CB92734SGF0
		<b>500lm 930 7W</b>	silver high gloss	34°	Q665BW93034SGF0	Q665CB93034SGF0
		<b>510lm 940 7W</b>	silver high gloss	34°	Q665BW94034SGF0	Q665CB94034SGF0
		<b>490lm 927 7W</b>	chrome	34°	Q665BW92734CHF0	Q665CB92734CHF0
		<b>500lm 930 7W</b>	chrome	34°	Q665BW93034CHF0	Q665CB93034CHF0
		<b>510lm 940 7W</b>	chrome	34°	Q665BW94034CHF0	Q665CB94034CHF0
		<b>490lm 927 7W</b>	white	34°	Q665BW92734WHF0	Q665CB92734WHF0
		<b>500lm 930 7W</b>	white	34°	Q665BW93034WHF0	Q665CB93034WHF0
		<b>510lm 940 7W</b>	white	34°	Q665BW94034WHF0	Q665CB94034WHF0
		<b>490lm 927 7W</b>	gold	34°	Q665BW92734GOF0	Q665CB92734GOF0
		<b>500lm 930 7W</b>	gold	34°	Q665BW93034GOF0	Q665CB93034GOF0
		<b>510lm 940 7W</b>	gold	34°	Q665BW94034GOF0	Q665CB94034GOF0
		<b>490lm 927 7W</b>	black matt	34°	Q665BW92734BMF0	Q665CB92734BMF0
		<b>500lm 930 7W</b>	black matt	34°	Q665BW93034BMF0	Q665CB93034BMF0
		<b>510lm 940 7W</b>	black matt	34°	Q665BW94034BMF0	Q665CB94034BMF0
		<b>490lm 927 7W</b>	copper	34°	Q665BW92734COF0	Q665CB92734COF0
		<b>500lm 930 7W</b>	copper	34°	Q665BW93034COF0	Q665CB93034COF0
		<b>510lm 940 7W</b>	copper	34°	Q665BW94034COF0	Q665CB94034COF0

For the difference between Q1 and Q2 tracks, see page 168.

