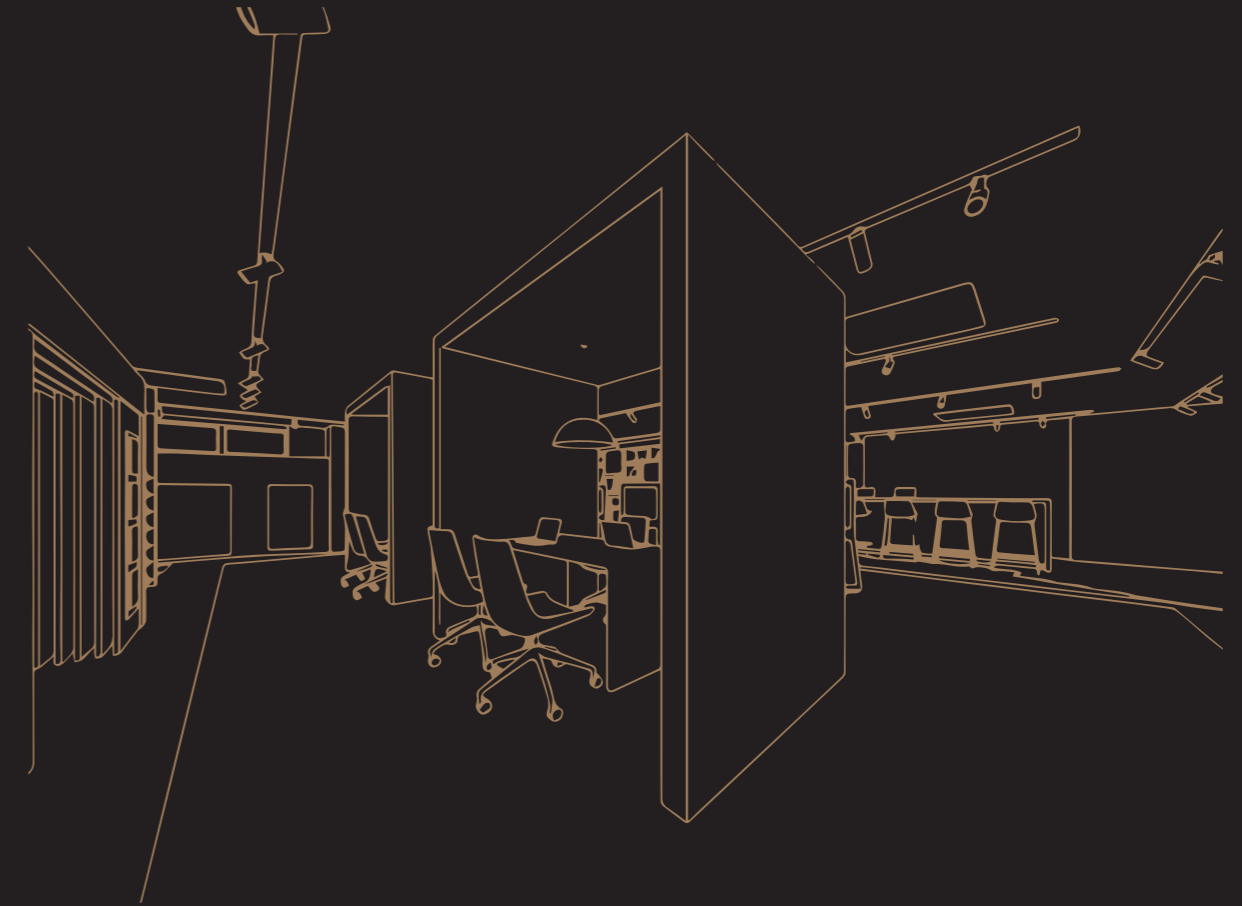


Q-Line series
48V TRACK SYSTEM

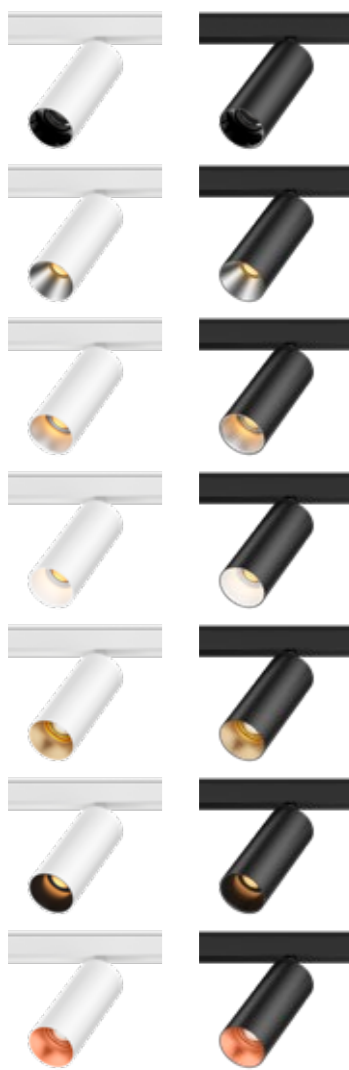


Dea Juno-Q1 / Q2 XS
small, smart and balanced.

The 48V luminaire Dea Juno is a real eye-catcher thanks to its small measurements, deep recessed light source and beautiful colour options. Use the Dea Juno in combination with Casambi to create a smart and balanced lighting solution. Particularly suitable for use in boutiques, hospitality and even in homes.

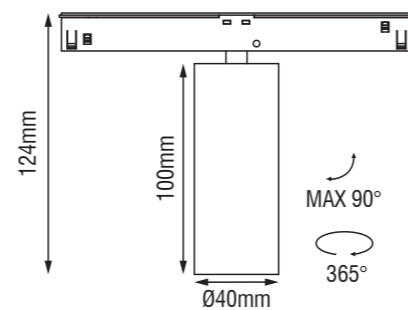


Dea Juno-Q1 XS.

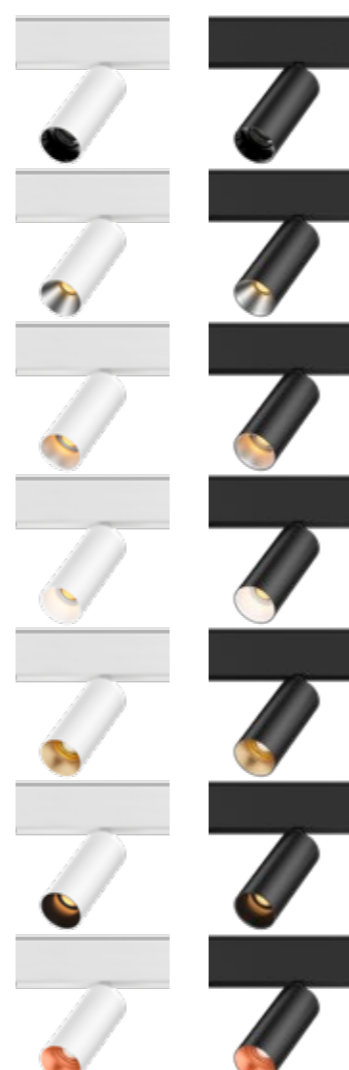


Description	Reflector	Angle	White	Black
490lm 927 7W	black high gloss	34°	Q611BW92734BGF0	Q611BB92734BGF0
500lm 930 7W	black high gloss	34°	Q611BW93034BGF0	Q611BB93034BGF0
510lm 940 7W	black high gloss	34°	Q611BW94034BGF0	Q611BB94034BGF0
490lm 927 7W	silver high gloss	34°	Q611BW92734SGF0	Q611BB92734SGF0
500lm 930 7W	silver high gloss	34°	Q611BW93034SGF0	Q611BB93034SGF0
510lm 940 7W	silver high gloss	34°	Q611BW94034SGF0	Q611BB94034SGF0
490lm 927 7W	chrome	34°	Q611BW92734CHF0	Q611BB92734CHF0
500lm 930 7W	chrome	34°	Q611BW93034CHF0	Q611BB93034CHF0
510lm 940 7W	chrome	34°	Q611BW94034CHF0	Q611BB94034CHF0
490lm 927 7W	white	34°	Q611BW92734WHF0	Q611BB92734WHF0
500lm 930 7W	white	34°	Q611BW93034WHF0	Q611BB93034WHF0
510lm 940 7W	white	34°	Q611BW94034WHF0	Q611BB94034WHF0
490lm 927 7W	gold	34°	Q611BW92734GOF0	Q611BB92734GOF0
500lm 930 7W	gold	34°	Q611BW93034GOF0	Q611BB93034GOF0
510lm 940 7W	gold	34°	Q611BW94034GOF0	Q611BB94034GOF0
490lm 927 7W	black matt	34°	Q611BW92734BMF0	Q611BB92734BMF0
500lm 930 7W	black matt	34°	Q611BW93034BMF0	Q611BB93034BMF0
510lm 940 7W	black matt	34°	Q611BW94034BMF0	Q611BB94034BMF0
490lm 927 7W	copper	34°	Q611BW92734COF0	Q611BB92734COF0
500lm 930 7W	copper	34°	Q611BW93034COF0	Q611BB93034COF0
510lm 940 7W	copper	34°	Q611BW94034COF0	Q611BB94034COF0

For the difference between Q1 and Q2 tracks, see page 168.

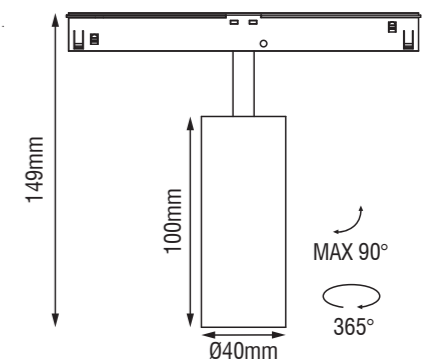


Dea Juno-Q2 XS.

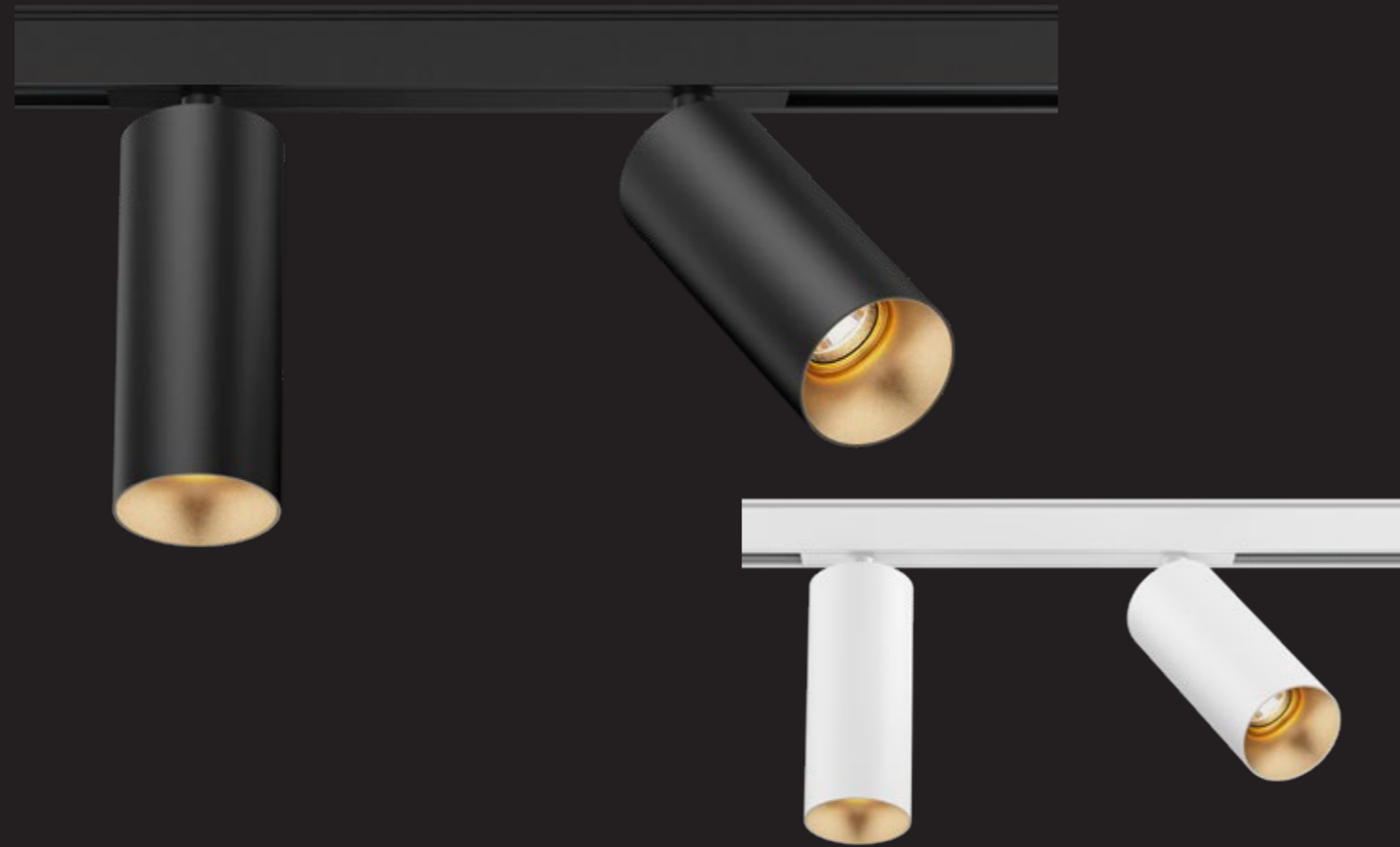


Description	Reflector	Angle	White	Black
490lm 927 7W	black high gloss	34°	Q621BW92734BG00	Q621BB92734BG00
500lm 930 7W	black high gloss	34°	Q621BW93034BG00	Q621BB93034BG00
510lm 940 7W	black high gloss	34°	Q621BW94034BG00	Q621BB94034BG00
490lm 927 7W	silver high gloss	34°	Q621BW92734SG00	Q621BB92734SG00
500lm 930 7W	silver high gloss	34°	Q621BW93034SG00	Q621BB93034SG00
510lm 940 7W	silver high gloss	34°	Q621BW94034SG00	Q621BB94034SG00
490lm 927 7W	chrome	34°	Q621BW92734CH00	Q621BB92734CH00
500lm 930 7W	chrome	34°	Q621BW93034CH00	Q621BB93034CH00
510lm 940 7W	chrome	34°	Q621BW94034CH00	Q621BB94034CH00
490lm 927 7W	white	34°	Q621BW92734WH00	Q621BB92734WH00
500lm 930 7W	white	34°	Q621BW93034WH00	Q621BB93034WH00
510lm 940 7W	white	34°	Q621BW94034WH00	Q621BB94034WH00
490lm 927 7W	gold	34°	Q621BW92734GO00	Q621BB92734GO00
500lm 930 7W	gold	34°	Q621BW93034GO00	Q621BB93034GO00
510lm 940 7W	gold	34°	Q621BW94034GO00	Q621BB94034GO00
490lm 927 7W	black matt	34°	Q621BW92734BM00	Q621BB92734BM00
500lm 930 7W	black matt	34°	Q621BW93034BM00	Q621BB93034BM00
510lm 940 7W	black matt	34°	Q621BW94034BM00	Q621BB94034BM00
490lm 927 7W	copper	34°	Q621BW92734COF0	Q621BB92734COF0
500lm 930 7W	copper	34°	Q621BW93034COF0	Q621BB93034COF0
510lm 940 7W	copper	34°	Q621BW94034COF0	Q621BB94034COF0

For the difference between Q1 and Q2 tracks, see page 168.



Q-Line series
48V TRACK SYSTEM



Dea Juno-Q1 / Q2 Duo XS
smart and balanced.

The 48V luminaire Dea Juno duo is a real eye-catcher thanks to its small measurements, deep recessed light source and beautiful colour options. This double 48V track spot ensures you not only a timeless design, it also offers maximum modern-day efficiency. It is perfectly suitable for spaces where frequent changes are typical, use the Dea Juno duo in combination with Casambi to create a smart and balanced lighting solution.

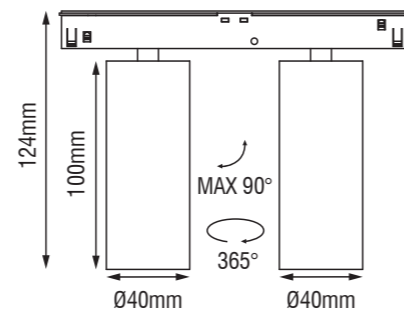


Dea Juno-Q1 DUO XS.



Description	Reflector	Angle	White	Black
2x490lm 927 14W	black high gloss	34°	Q612BW92734BGF0	Q612BB92734BGF0
2x500lm 930 14W	black high gloss	34°	Q612BW93034BGF0	Q612BB93034BGF0
2x510lm 940 14W	black high gloss	34°	Q612BW94034BGF0	Q612BB94034BGF0
2x490lm 927 14W	silver high gloss	34°	Q612BW92734SGF0	Q612BB92734SGF0
2x500lm 930 14W	silver high gloss	34°	Q612BW93034SGF0	Q612BB93034SGF0
2x510lm 940 14W	silver high gloss	34°	Q612BW94034SGF0	Q612BB94034SGF0
2x490lm 927 14W	chrome	34°	Q612BW92734CHF0	Q612BB92734CHF0
2x500lm 930 14W	chrome	34°	Q612BW93034CHF0	Q612BB93034CHF0
2x510lm 940 14W	chrome	34°	Q612BW94034CHF0	Q612BB94034CHF0
2x490lm 927 14W	white	34°	Q612BW92734WHF0	Q612BB92734WHF0
2x500lm 930 14W	white	34°	Q612BW93034WHF0	Q612BB93034WHF0
2x510lm 940 14W	white	34°	Q612BW94034WHF0	Q612BB94034WHF0
2x490lm 927 14W	gold	34°	Q612BW92734GOF0	Q612BB92734GOF0
2x500lm 930 14W	gold	34°	Q612BW93034GOF0	Q612BB93034GOF0
2x510lm 940 14W	gold	34°	Q612BW94034GOF0	Q612BB94034GOF0
2x490lm 927 14W	black matt	34°	Q612BW92734BMF0	Q612BB92734BMF0
2x500lm 930 14W	black matt	34°	Q612BW93034BMF0	Q612BB93034BMF0
2x510lm 940 14W	black matt	34°	Q612BW94034BMF0	Q612BB94034BMF0
2x490lm 927 14W	copper	34°	Q612BW92734COF0	Q612BB92734COF0
2x500lm 930 14W	copper	34°	Q612BW93034COF0	Q612BB93034COF0
2x510lm 940 14W	copper	34°	Q612BW94034COF0	Q612BB94034COF0

For the difference between Q1 and Q2 tracks, see page 168.



Dea Juno-Q2 DUO XS.



Description	Reflector	Angle	White	Black
2x490lm 927 14W	black high gloss	34°	Q622BW92734BGF0	Q622BB92734BGF0
2x500lm 930 14W	black high gloss	34°	Q622BW93034BGF0	Q622BB93034BGF0
2x510lm 940 14W	black high gloss	34°	Q622BW94034BGF0	Q622BB94034BGF0
2x490lm 927 14W	silver high gloss	34°	Q622BW92734SGF0	Q622BB92734SGF0
2x500lm 930 14W	silver high gloss	34°	Q622BW93034SGF0	Q622BB93034SGF0
2x510lm 940 14W	silver high gloss	34°	Q622BW94034SGF0	Q622BB94034SGF0
2x490lm 927 14W	chrome	34°	Q622BW92734CHF0	Q622BB92734CHF0
2x500lm 930 14W	chrome	34°	Q622BW93034CHF0	Q622BB93034CHF0
2x510lm 940 14W	chrome	34°	Q622BW94034CHF0	Q622BB94034CHF0
2x490lm 927 14W	white	34°	Q622BW92734WHF0	Q622BB92734WHF0
2x500lm 930 14W	white	34°	Q622BW93034WHF0	Q622BB93034WHF0
2x510lm 940 14W	white	34°	Q622BW94034WHF0	Q622BB94034WHF0
2x490lm 927 14W	gold	34°	Q622BW92734GOF0	Q622BB92734GOF0
2x500lm 930 14W	gold	34°	Q622BW93034GOF0	Q622BB93034GOF0
2x510lm 940 14W	gold	34°	Q622BW94034GOF0	Q622BB94034GOF0
2x490lm 927 14W	black matt	34°	Q622BW92734BMF0	Q622BB92734BMF0
2x500lm 930 14W	black matt	34°	Q622BW93034BMF0	Q622BB93034BMF0
2x510lm 940 14W	black matt	34°	Q622BW94034BMF0	Q622BB94034BMF0
2x490lm 927 14W	copper	34°	Q622BW92734COF0	Q622BB92734COF0
2x500lm 930 14W	copper	34°	Q622BW93034COF0	Q622BB93034COF0
2x510lm 940 14W	copper	34°	Q622BW94034COF0	Q622BB94034COF0

For the difference between Q1 and Q2 tracks, see page 168.

