

Delizia di Luce
By KARIZMA_{luce}



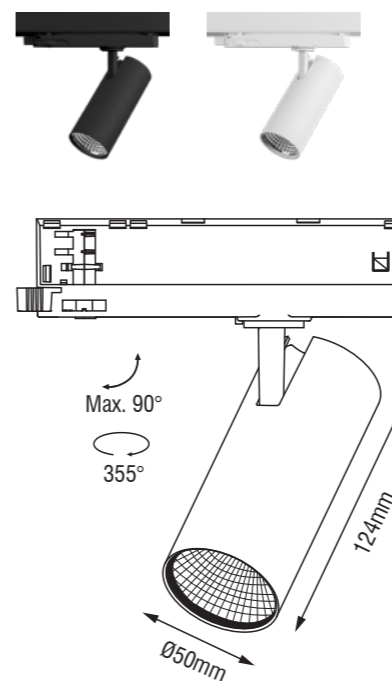
Caro

all about details.

Let's bring even the smallest details to life. Our 220V track spot Caro has been specially developed to illuminate the finest things in life: art, jewellery, watches and perfumes. The Caro is compact and has an excellent Lm/Watt ratio. An outstanding choice for residential use and high-end boutiques. Apply one of the available front ring colours for a unique and luxurious look.

KARIZMA_{luce}

Caro.



Description	Angle	White	Black
1750lm 927 15,5W	25°	670EW92725F0	670EB92725F0
1900lm 930 15,5W	25°	670EW93025F0	670EB93025F0
2000lm 940 15,5W	25°	670EW94025F0	670EB94025F0
1750lm 927 15,5W	35°	670EW92735F0	670EB92735F0
1900lm 930 15,5W	35°	670EW93035F0	670EB93035F0
2000lm 940 15,5W	35°	670EW94035F0	670EB94035F0
1750lm 927 15,5W	45°	670EW92745F0	670EB92745F0
1900lm 930 15,5W	45°	670EW93045F0	670EB93045F0
2000lm 940 15,5W	45°	670EW94045F0	670EB94045F0
1750lm 927 15,5W	60°	670EW92760F0	670EB92760F0
1900lm 930 15,5W	60°	670EW93060F0	670EB93060F0
2000lm 940 15,5W	60°	670EW94060F0	670EB94060F0

Wish to add an accessory? Contact us and we will provide the article number. For Light source energy class and identifier please consult the datasheet on our website.

1300lm 927 11,5W	25°	670DW92725F0	670DB92725F0
1400lm 930 11,5W	25°	670DW93025F0	670DB93025F0
1500lm 940 11,5W	25°	670DW94025F0	670DB94025F0
1300lm 927 11,5W	35°	670DW92735F0	670DB92735F0
1400lm 930 11,5W	35°	670DW93035F0	670DB93035F0
1500lm 940 11,5W	35°	670DW94035F0	670DB94035F0
1300lm 927 11,5W	45°	670DW92745F0	670DB92745F0
1400lm 930 11,5W	45°	670DW93045F0	670DB93045F0
1500lm 940 11,5W	45°	670DW94045F0	670DB94045F0
1300lm 927 11,5W	60°	670DW92760F0	670DB92760F0
1400lm 930 11,5W	60°	670DW93060F0	670DB93060F0
1500lm 940 11,5W	60°	670DW94060F0	670DB94060F0

Wish to add an accessory? Contact us and we will provide the article number. For Light source energy class and identifier please consult the datasheet on our website.



Available ring colours.

220V TRACK LUMINAIRES.